

# Bourdon Tube Pressure Gauges

## Hinged Ring Test Gauge - 316SS Wetted Parts

### Type 332.25

WIKA Datasheet 332.25

#### Applications

- Pressure monitoring panels
- Suitable for corrosive gaseous or liquid media that will not clog the pressure system or attack 316L SS parts.
- Process industry: chemical/petrochemical, power stations, mining, on and offshore, environmental technology, mechanical engineering and plant construction

#### Special features

- Hinged ring for access to adjustable pointer
- Durable aluminum case and ring
- Positive pressure ranges to 20,000 psi
- Mirror band dial
- Knife edge pointer

#### Standard Features

##### Design

ASME B40.100

##### Sizes

4½" (115 mm)

##### Accuracy class

Ranges: ± 0.25% of span (ASME B40.1 Grade 3A)  
0/30" Hg ... 600 psi and 2000 psi ... 20,000 psi  
± 0.5% of span (ASME B40.1 Grade 2A)  
600 psi ... 2000 psi

##### Ranges

Vacuum / Compound to 200 psi  
Pressure from 15 psi to 20,000 psi  
or other equivalent units of pressure or vacuum

##### Working pressure

Steady: full scale value  
Fluctuating: 0.9 x full scale value  
Short time: 1.3 x full scale value

##### Operating temperature

Ambient: -40°F to +140°F (-40°C to +60°C)  
Medium: +212°F (+100°C) maximum

##### Temperature error

Additional error when temperature changes from reference temperature of 68°F (20°C) ±0.4% for every 18°F (10°C) rising or falling. Percentage of span.



Bourdon Tube Test Gauge Model 332.25

##### Weather protection

Weather resistant (NEMA 3 / IP54)

##### Pressure connection

Material: 316L stainless steel  
Lower back mount (LBM)  
1/4" or 1/2" NPT with M4 internal tap

##### Bourdon tube

Material: 316L stainless steel  
≤ 1,000 psi: C-type  
≥ 1,500 psi: helical

##### Movement

Stainless steel. Internal stop pin at 1.3 x full scale

##### Dial

White aluminum with black lettering, mirror band dial and stop pin at 6 o'clock

##### Pointer

Black aluminum, adjustable

##### Case

Black-painted aluminum with 3 threaded mounting bolts.  
Solid front, blowout back safety case. 304 stainless steel blowout back plate

##### Hinged ring

Black-painted steel with knurled clamping screw

### Window

Flat instrument glass with silicone rubber gasket

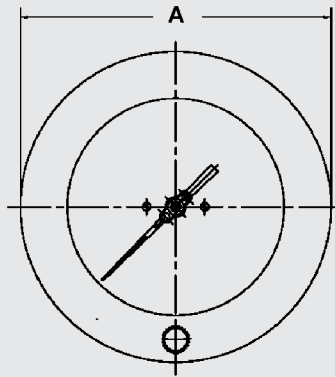
### Mounting bolts

10-24 UNC threads - 4½"

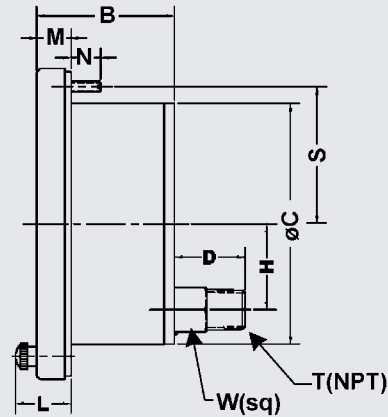
### Optional Extras

- Threaded restrictor
- Cleaned for oxygen service
- Safety glass window
- Special process connections
- Custom dial layout

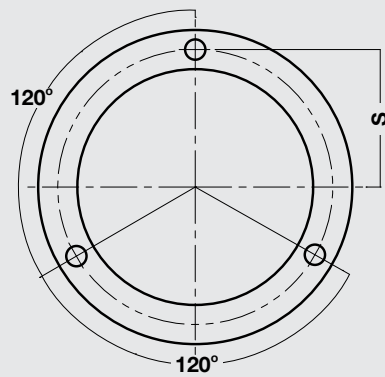
### Dimensions



Front view



Side view



Rear view

| Size |    | A     | B    | C    | D    | H    | L    | M    | N    | R | S     | T    | W    | Weight  |
|------|----|-------|------|------|------|------|------|------|------|---|-------|------|------|---------|
| 4.5" | mm | 154.7 | 68.6 | 120  | 35   | 41.4 | 27.4 | 17   | 19   | - | 68.32 |      | 22   |         |
|      | in | 6.09  | 2.70 | 4.73 | 1.37 | 1.63 | 1.08 | 0.67 | 0.75 | - | 2.69  | 1/4" | 0.87 | 2.5 lb. |

Recommended panel cutout  
4½": dimension C + 1.5 mm

### Ordering information

Pressure gauge model / Nominal size / Scale range / Size of connection / Optional extras required  
Specifications and dimensions given in this leaflet represent the state of engineering at the time of printing.  
Modifications may take place and materials specified may be replaced by others without prior notice.



### WIKA Instrument Corporation

1000 Wiegand Boulevard  
Lawrenceville, GA 30043  
Tel (770) 513-8200 Toll-free 1-888-WIKA-USA  
Fax (770) 338-5118  
E-Mail info@wika.com  
www.wika.com