

Gas Actuated Thermometers CBM, Lower and Adjustable Angle Connection Types TI.R45, TI.R60 Remote & Direct Reading

WIKA Datasheet TI.RXX

Applications

- Power transformers
- Paper mills
- Refineries
- Petrochemical
- Food & pharmaceutical

Standard Features

Size

4 1/2" (114.3 mm), 6" (152.4 mm)

Accuracy

(+/-) 1% of full span

Case

Drawn stainless steel, aluminum, Phenolic/GRP

Case Connection

CBM, Lower, and Adjustable Angle

Process connection

Plain or union

Bulb

3/8" diameter X 3" active length, plain or bendable extension

Capillary

316 SS; stainless steel spring armor or stainless steel interlocking armor; up to 99'
Capillary length > 40' requires stainless steel interlocking armor

Dials

White coated aluminum with black markings

Pointer

Adjustable, balance, aluminum with matte black finish

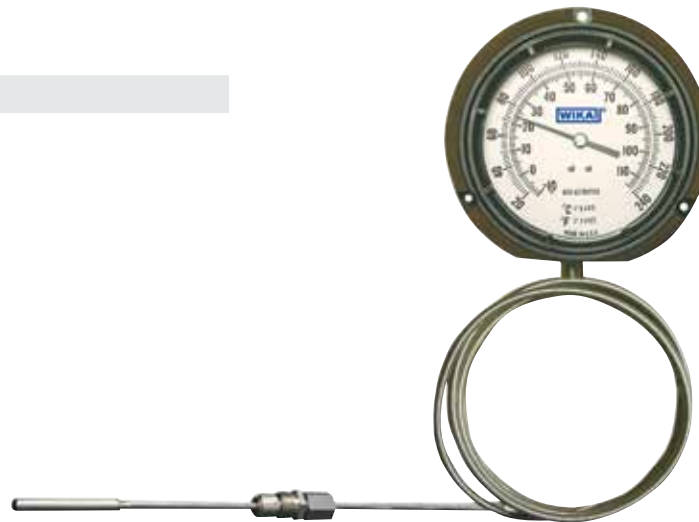
Ambient Error

0.25% at midscale of span per 25° F change in ambient temperature

¹⁾ Not available for all mounting options

²⁾ Requires low temperature option

³⁾ Requires high temperature option



Gas Actuated Thermometer - TI.R45 shown

Window

Glass, acrylic¹⁾, shatterproof glass¹⁾

Over Range

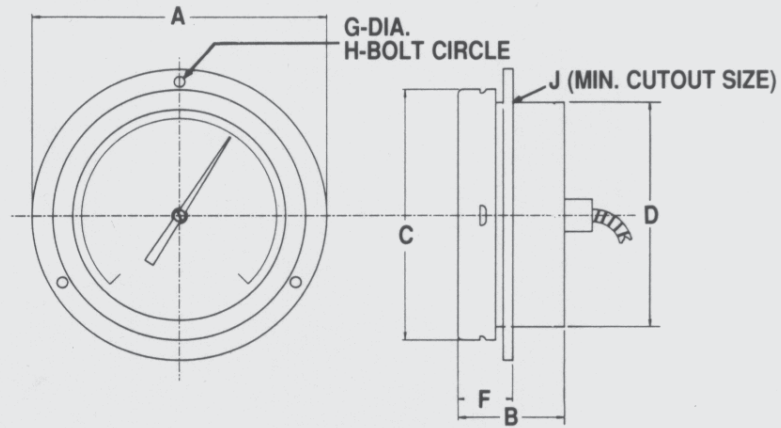
50% of span above top of range or 1300° F, which ever is lower.

Operating Temperature

Middle 2/3 of the dial scale

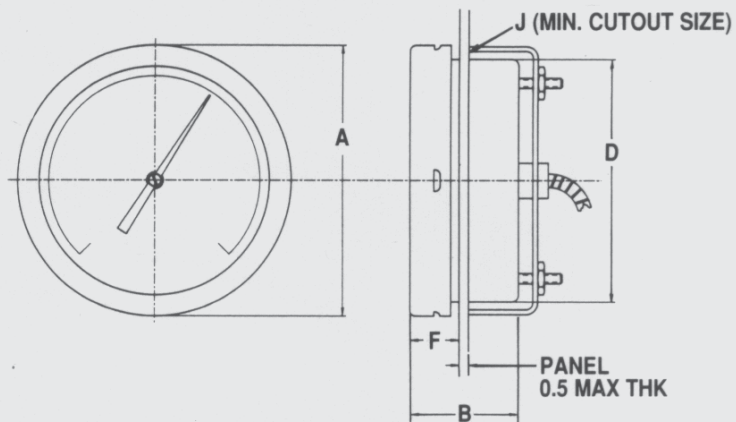
STANDARD RANGES - Dual Scale F & C	
²⁾ -320/100° F	-200/40° C
-120/120° F	-80/50° C
0/120° F	-20/50° C
0/160° F	-20/70° C
-40/180° F	-40/80° C
20/240° F	-10/115° C
0/300° F	-20/150° C
50/550° F	10/280° C
³⁾ 400/1200° F	200/650° C
50/400° F	0/200° C

Dimensions



Stainless Steel Semi-Flush Front Flange Case with Bayonet Ring

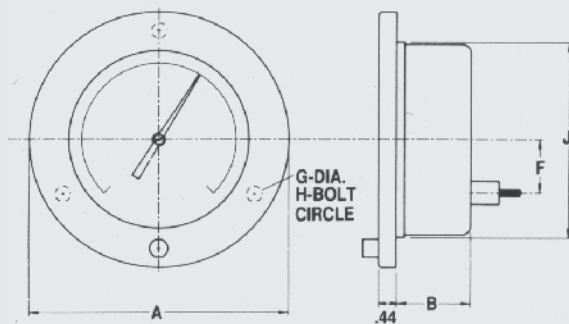
Code S Dimensions									
Model	Size	A	B	C	E	F	G	H	J
TI.R45S	4-1/2"	5.88	2.15	5.04	4.51	1.00	0.22	5.38	4.56
TI.R60S	6"	7.50	2.15	6.38	5.90	1.00	0.25	6.84	5.92



Stainless Steel "U" Clamp Case with Bayonet Ring

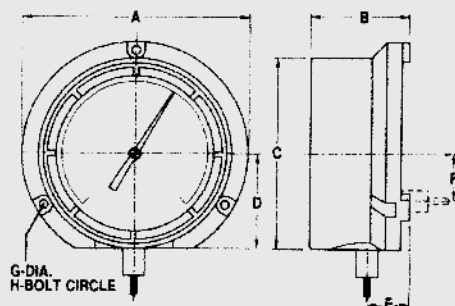
Code S Dimensions						
Model	Size	A	B	D	F	J
TI.R45U	4-1/2"	5.04	2.00	4.51	0.88	4.56
TI.R60U	6"	6.38	2.00	5.88	0.88	5.92

Dimensions continued



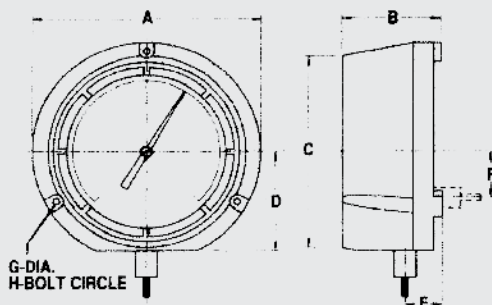
Aluminum Hinged Ring Front Flange Case

Code F Dimensions							
Model	Size	A	B	F	G	H	J
TI.R45F	4-1/2"	6.31	1.63	1.35	0.19	5.38	4.88
TI.R60F	6"	7.81	1.63	1.35	0.19	6.69	6.50



Cast Aluminum Back Flange Case

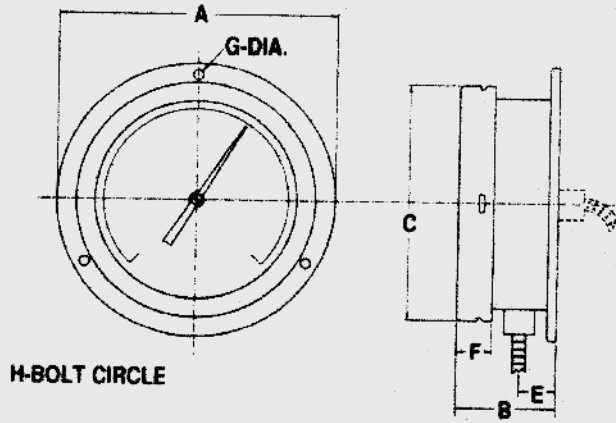
Code B Dimensions									
Model	Size	A	B	C	D	E	F	G	H
TI.R45B	4-1/2"	5.81	2.69	5.00	2.50	1.12	0.20	0.22	5.38
TI.R60B	6"	7.65	2.26	6.25	3.31	1.00	1.75	0.28	7.00



Phenolic/GRP Turret Case

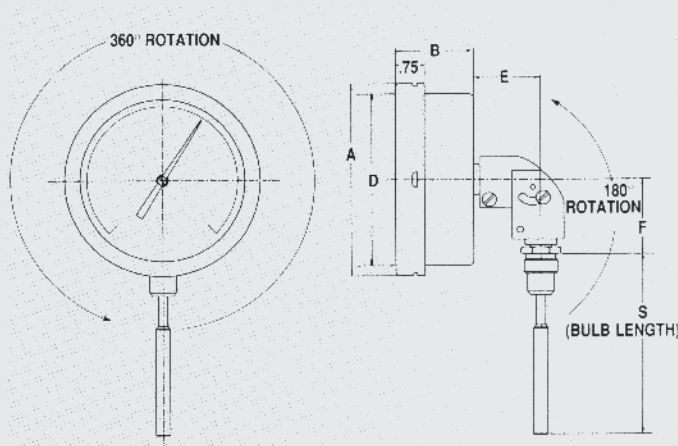
TI.R45E	4-1/2"	5.83	2.56	5.08	2.62	1.00	0.20	0.24	5.39
---------	--------	------	------	------	------	------	------	------	------

Dimensions continued



Stainless Steel Back Flange Case with Bayonet Ring

TI.R45K	4-1/2"	5.88	2.15	5.04	0.60	0.22	5.38
TI.R60K	6"	7.50	2.15	6.38	0.60	0.28	6.84



Stainless Steel Just-Rite Adjustable Angle with Bayonet Ring

TI.R45V	4-1/2"	5.04	2.00	4.51	1.75	2.00
TI.R60V	6"	6.38	2.15	5.88	1.75	2.00



WIKA Instrument Corporation
 1000 Wiegand Boulevard
 Lawrenceville, GA 30043-5868
 Tel: 888-WIKA-USA • 770-513-8200
 Fax: 770-338-5118
 E-Mail: info@wika.com
 www.wika.com