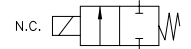


# SV84

2-way Direct Acting, Normally Closed  
High Pressure, High Flow  
Balanced Poppet Solenoid Valve



Valcor General Purpose Series



## DESCRIPTION

The SV84 series is a 2-way, balanced poppet solenoid valve that is capable of handling up to 625 PSI of pressure. This unique design opens and closes independent of pressure. The poppet and seal assembly is spring loaded and shifted by a high force solenoid. This direct acting series requires no minimum pressure to operate and has no pilot holes to clog, eliminating hang-ups. Options for various elastomers makes this series compatible with a wide variety of fluids.

## APPLICATIONS

The SV84 series is suitable for a broad range of industrial applications including:

- High pressure water control
- Fuel control for large burners
- Steam systems
- Car wash
- Tank filling
- Coolant control

## FEATURES

- Direct acting design is less prone to hanging up
- High pressure & high flow design
- Rugged construction suitable for wide range of industrial uses
- Fail safe design in event of power interruption
- Bubble tight shut-off

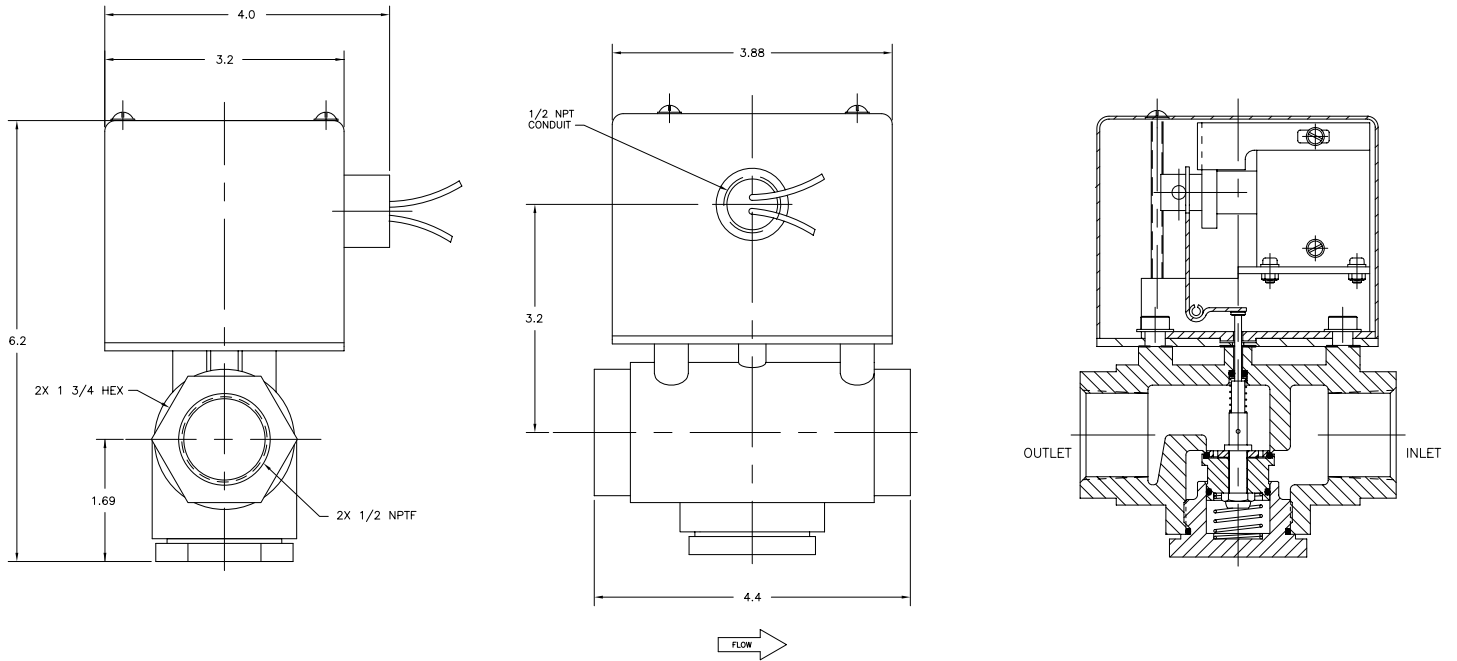


# VALCOR SV84 SPECIFICATIONS

## Construction

### Valve Parts in Contact with Fluid

|                  |                       |
|------------------|-----------------------|
| Body             | Bronze                |
| Seal Disc        | Buna N, Viton or EPDM |
| Seal disc holder | 303 SS                |
| Rod assembly     | 303 SS                |
| Body Seal        | Buna N, Viton or EPDM |
| Spring           | 303 SS                |



## Electrical

|                       |                                       |
|-----------------------|---------------------------------------|
| Standard voltage      | 115/60 AC<br>Not available in DC      |
| Coil                  | UL class H with 10" leads             |
| Standard coil housing | General purpose with 1/2" NPT conduit |

## Specifications

| Port Size (NPT)                    | Orifice Size (ins.) | C <sub>v</sub> | Max. Operating Pressure (PSIG) |       | Seals  | Model Number | Wattage |
|------------------------------------|---------------------|----------------|--------------------------------|-------|--------|--------------|---------|
|                                    |                     |                | Gas & Liquid                   | Steam |        |              |         |
| 2-way Normally Closed, Bronze Body |                     |                |                                |       |        |              |         |
| 1                                  | 7/8                 | 6              | 625                            |       | Viton  | SV84C18HC2   | 15      |
| 1                                  | 7/8                 | 6              | 625                            |       | Buna N | SV84C18HC6   | 15      |
| 1                                  | 7/8                 | 6              |                                | 200   | EPDM   | SV84C18HC7   | 15      |

Valves must be mounted with solenoid in the vertical and upright position.

This series is also available in 115/50, 230/50 and 230/60 voltage

NEMA 4 & Position indicating available