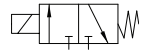


# SV75

3-way Universal  
Diaphragm Isolation Construction



Valcor PTFE Instrumentation Series



## DESCRIPTION

The SV75 series valves utilize a PTFE diaphragm to seal on a PTFE seat. As a result, these valves are capable of handling a wide range of corrosive or high purity media by isolating all metallic components from the fluid path. Other materials including PEEK & Kel-F are available as body material. Consult factory for availability.

## APPLICATIONS

The SV75 diaphragm isolation series is suitable for a broad range of applications, including:

- Ink Jet Printers
- Chromatography
- Clinical or Chemical Analyzer
- Chemical mixing/dispensing
- Laboratory equipment

## FEATURES

- Diaphragm isolation construction for high purity process
- Handles corrosive and aggressive fluids
- Compact low dead volume designs
- Low power consumption solenoids
- Universal pressure at any port construction
- Direct acting constructions
- Long life expectancy

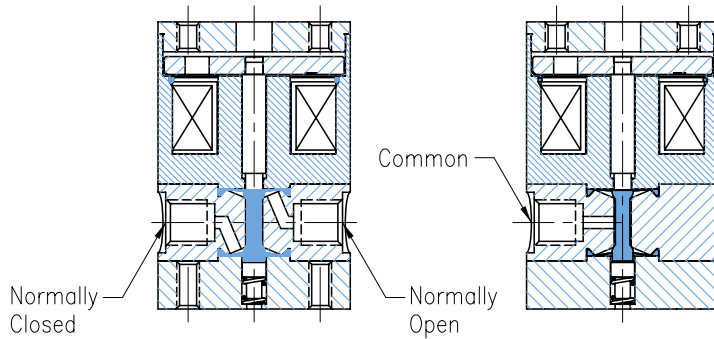
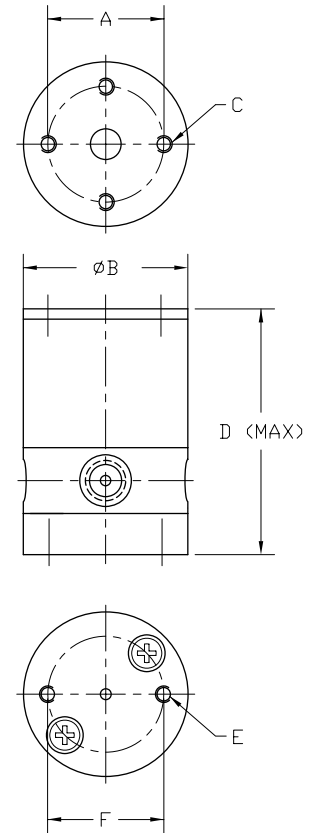


# VALCOR SV75 SPECIFICATIONS

## Construction

Valve Parts in Contact with Fluid	
Body	PTFE
Diaphragm	PTFE
Other Parts	
Armature	430F SS
Spring	303 SS
Coil Housing	Nickle Plated Steel
Base Plate	Nickle Plated Steel
Body is also available in PEEK and Kel-F	
Consult factory for availability of specific constructions	

Model Number	Envelope Dimensions:					
	A (in.)	ΦB (in.)	C	D (in.)	E	F (in.)
SV75P61T	0.50	0.75	#2 - 56	1.15	#2 - 56	0.50
SV75P25T	0.687	1.00	#4 - 40	1.50	#4 - 40	0.687
SV75P60T	0.884	1.25	#4 - 40	1.78	#4 - 40	0.844
SV75P48T	1.125	1.50	#4 - 40	2.10	#4 - 40	1.125



## Specifications

Port Size	Orifice Size (ins.)	Max. Operating Pressure (PSIG)		Model Number	Voltage	Wattage	Internal Volume (μl)
		Gas & Liquid (PSI)	Vacuum (in. Hg)				
SV75 Universal 3-way							
10 - 32	0.040"	30	28	SV75P61T-1	12 VDC	1.0	12
1/4 - 28	0.062"	30	28	SV75P25T-1	12 VDC	1.5	58
1/4 - 28	0.095"	30	28	SV75P60T-1	12 VDC	4.2	121
1/8" NPS*	0.156"	30	28	SV75P48T-1	12 VDC	7.2	399
10 - 32	0.040"	30	28	SV75P61T-2	24 VDC	1.0	12
1/4 - 28	0.062"	30	28	SV75P25T-2	24 VDC	1.5	58
1/4 - 28	0.095"	30	28	SV75P60T-2	24 VDC	4.2	121
1/8" NPS*	0.156"	30	28	SV75P48T-2	24 VDC	7.2	399

For temperature and duty cycle information, please consult "temp and duty cycle" link under Technical Information on our website.

Alternate voltage of 6 VDC & 115V/60 HZ available upon request. Please consult factory for availability & part number.

High pressure version available up to 100 PSI (-HP). Please consult factory for availability of specific constructions.

\*1/8"-27 NPS (National Pipe Straight) thread. Flat bottom.