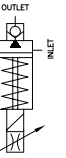


SV653

Isolation Diaphragm Precision Dispensing Pump
Solenoid Operated, Piston Driven
Output/Stroke: 50 μ l to 350 μ l



Valcor Dispensing / Metering Series



DESCRIPTION

The SV653 series dispensing pump is a solenoid operated high purity piston driven pump that delivers a wide range of fluids with high precision. By combining the easily adjustable stroke of the pump with variable cycle rates, users have complete control of the volume and rate of dispense for specific applications. A flexible diaphragm isolates the liquid from any metallic parts. Wetted parts are Polypropylene and Viton or EPDM, making this series suitable to handle a wide range of fluids.

APPLICATIONS

The SV653 series is a rugged construction suitable for a variety of dispensing applications such as the following:

- Adhesive or ink dispensing
- Reagents for analyzers or clinical instruments
- Acidic and basic solutions
- Caustic fluids
- Chemicals for pools & spas
- Syrup & Flavoring for soda machines
- Fragrance for personal products
- Analyzer sampling

FEATURES

- Adjustability over a wide range of operating conditions
- Volume output per stroke is adjusted by mechanically setting stroke
- Flow rate per minute is adjusted by frequency of operation
- Repeatability within 2%
- Self priming: can start dry and capable of lifting 5' of H₂O.
- Can handle fluid viscosity as high as 10,000 centistokes
- Maintenance free and long life
- Choice of elastomer; Viton or EPDM
- Built-in mounting brackets

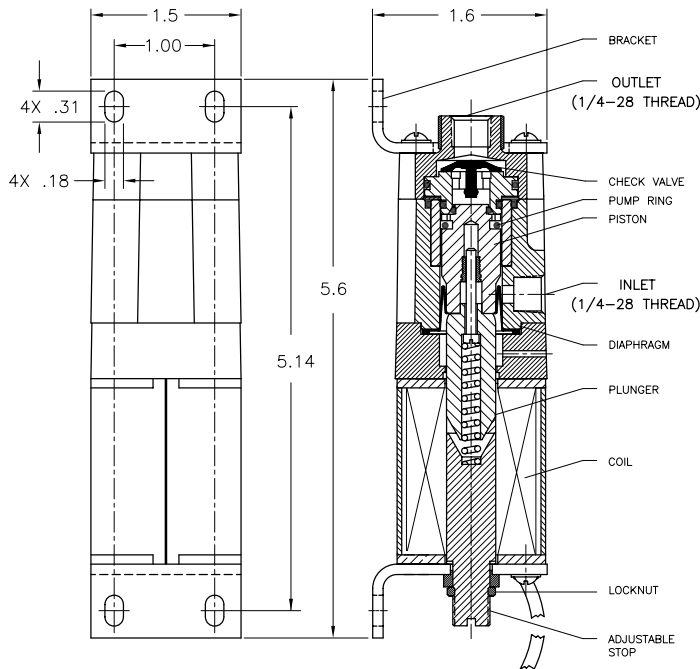


VALCOR SV653 SPECIFICATIONS

Construction

Pump Parts in Contact with Fluid

Wetted Materials Polypropylene, Glass, EDPM or Viton



Electrical

Standard voltages 115/60 Hz, 24/ DC or 12/DC
 Standard coil housing General purpose with pigtail leads

Specifications

Precision Dispensing Pump

Tube Connection	1/4 - 28 Thread
	Min. inlet tube 1/8" I.D.
	Min. outlet tube 1/16" I.D.
Coil Construction	Class B, 18" Leads
Power	21 Watts (115/60, 24DC or 12/DC)
Output per Stroke	50 to 350 μ l
Max. Stroke per Minute	120 on H ₂ O
Max. Dispense Rate	42 ml/min
Max. Priming Height	60" of H ₂ O
Minimum On-Time	250 milliseconds
Max. On-Time	6 seconds
Repeatability	\pm 2%
Special Requirements	Consult Factory

Part Number Configurator

Series Number	Voltage	Elastomer
SV653P	115 = 115/60 Hz	V = Viton
	24 = 24/DC	E = EPDM
	12 = 12/DC	

Example: SV653P115V equals SV653 pump with pigtail leads, 115/60 AC coil & Viton elastomer
 Note: This series is only available with pigtail leads