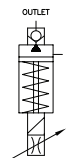


# SV603

Isolation Diaphragm Precision Dispensing Pump  
Solenoid Operated, Piston Driven  
Output/Stroke: 100  $\mu$ l to 1500  $\mu$ l (AC)



Valcor Dispensing / Metering Series



## DESCRIPTION

The SV603 series dispensing pump is a solenoid operated high purity piston driven pump that delivers a wide range of fluids with high precision. By combining the easily adjustable stroke of the pump with variable cycle rates, users have complete control of the volume and rate of dispense for specific applications. A flexible diaphragm isolates the fluid from any metallic parts. Wetted parts are Polypropylene and Viton or EPDM, making this series suitable to handle a wide range of fluids.

## APPLICATIONS

The SV603 series is a rugged construction suitable for a variety of dispensing applications such as the following:

- Adhesive or ink dispensing
- Reagents for analyzers or clinical instruments
- Acidic and basic solutions
- Caustic fluids
- Chemicals for pools & spas
- Syrup & Flavoring for soda machines
- Fragrance for personal products
- Analyzer sampling

## FEATURES

- Adjustability over a wide range of operating conditions
- Volume output per stroke is adjusted by mechanically setting stroke
- Flow rate per minute is adjusted by frequency of operation
- Repeatability within 2%
- Self priming: can start dry and capable of lifting 5' of H<sub>2</sub>O.
- Can handle fluid viscosity as high as 10,000 centistokes
- Maintenance free and long life
- Choice of elastomer; Viton or EPDM
- Built-in mounting brackets

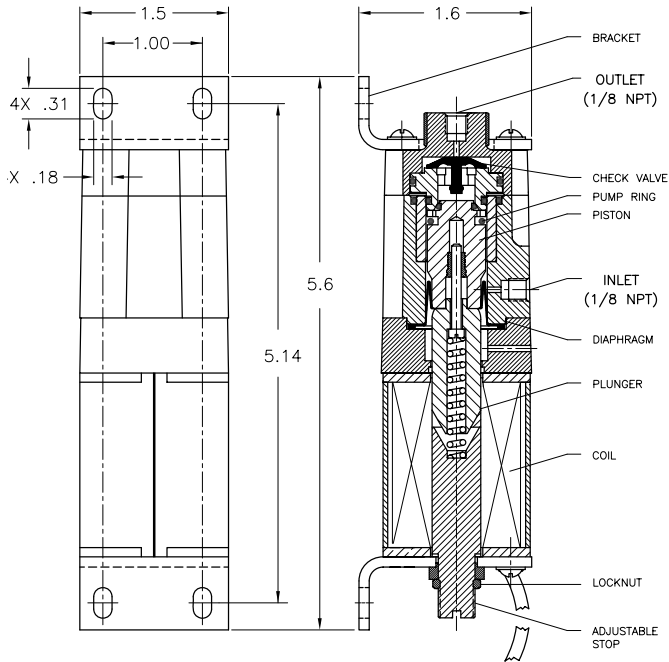


# VALCOR SV603 SPECIFICATIONS

## Construction

### Pump Parts in Contact with Fluid

Wetted Materials Polypropylene, Glass, EDPM or Viton



## Electrical

Standard voltages 115/60 Hz, 24/ DC or 12/DC  
 Standard coil housing General purpose with pigtail leads

## Specifications

Precision Dispensing Pump	
Tube Connection	1/8" NPT
	Min. inlet tube 3/16" I.D.
	Min. outlet tube 1/8" I.D.
Coil Construction	Class B, 18" Leads
Power	21 Watts (115/60), 21 Watts (24DC, 12/DC)
Output per Stroke	100 to 1500 µl (AC)
	100 to 1200 µl (DC)
Max. Stroke per Minute	120 on H2O
Max. Dispense Rate	180 ml/min (AC)
	144 ml/min (DC)
Max. Priming Height	60" of H2O
Minimum On-Time	250 milliseconds
Max. On-Time	6 seconds
Repeatability	±2%
Special Requirements	Consult Factory

## Part Number Configurator

Series Number	Voltage	Elastomer
SV603P	115 = 115/60 Hz	V = Viton
	24 = 24/DC	E = EPDM
	12 = 12/DC	

Example: SV603P115E equals SV603 pump with pigtail leads, 115/60 AC coil, EPDM elastomer  
 Note: This series is only available with pigtail leads.