

Robertshaw

INDUSTRIAL PRODUCTS DIVISION

Valve Body Assembly Style "WE"

FEATURES

- Sizes 1/2" thru 4"
- 3-Way, Unbalanced, for mixing or blending
- Top and Bottom Guided

SPECIFICATIONS

End Connections:
 1/2" - 2"Screwed, Female NPT
 2 1/2" - 4" Flanged, 125 lb. ANSI

Action:3-Way

Flow Characteristics: Linear

Body Material:
 1/2" - 1" Brass, ASTM B584
 1 1/4" - 2" Brass, ASTM B62
 2 1/2" - 4" Iron, ASTM A126 Class B

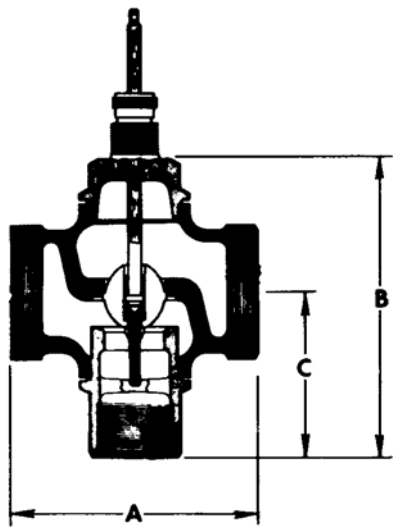
Trim Materials:
Stem 316 Stainless Steel.
Plug 1/2" - 2", Brass, ASTM B21.
 2 1/2" - 4", Replaceable brass, ASTM B584
Seat Ring 1/2" - 2", Integral brass seat and brass
 bottom connector.
 2 1/2" - 4", Replaceable brass, ASTM B584

Stem Connections:
 1/2" - 2" Quick-disconnect pin.
 2 1/2" - 4" Split block clamp.

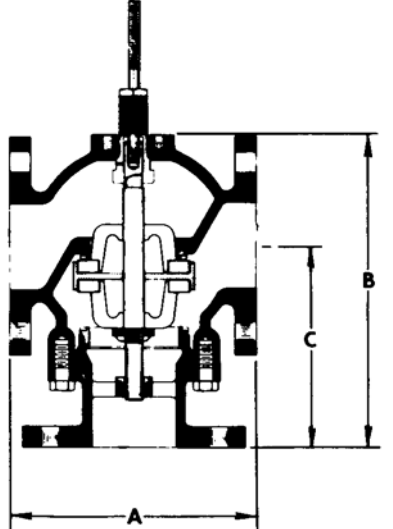
Packing: Rubber U-Cups.

Maximum Pressure Drop: 50 psi.

Temperature Limit: 250°F. (121°C).



1/2" - 2" Sizes

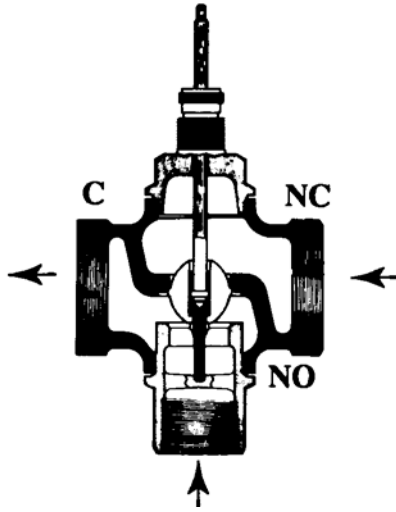


2 1/2" - 4" Sizes

DIMENSIONS

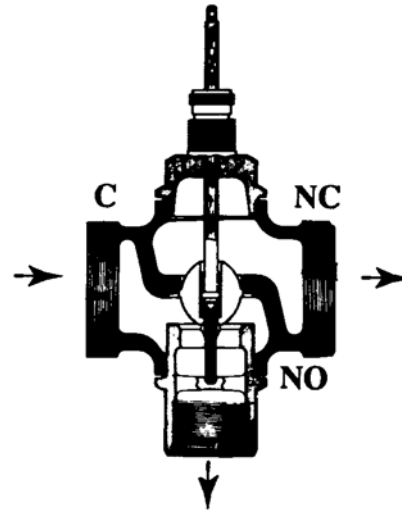
Valve Size, In.	1/2"	3/4"	1"	1-1/4"	1-1/2"	2"	2-1/2"	3"	4"
Cv	2.2	4.6	9	18	25	40	72	94	170
Valve Travel, In. (mm)	3/8 (9.5)	3/8 (9.5)	5/8 (15.9)	5/8 (15.9)	5/8 (15.9)	5/8 (15.9)	1 (25)	1 (25)	1 (25)
Unbalanced Area, Sq. In. (cm ²)	.26 (1.68)	.44 (2.84)	.79 (5.10)	1.23 (7.94)	1.77 (11.4)	3.14 (20.3)	4.9 (31.6)	7.1 (45.8)	12.6 (81.3)
Dimension A, In. (mm)	3 (76)	4 (102)	5 (127)	5 (127)	5-1/8 (130)	6-3/4 (171)	10-7/8 (276)	11-3/4 (298)	13-7/8 (352)
Dimension B, In. (mm)	3-3/4 (95)	4-3/16 (106)	6-1/4 (159)	6-1/4 (159)	6-1/4 (159)	6-11/16 (170)	10-3/16 (259)	12 (305)	15-3/4 (400)
Dimension C, In. (mm)	1-15/16 (49)	2-1/4 (57)	3-1/2 (89)	3-1/2 (89)	3-3/8 (86)	3-3/4 (95)	6-9/16 (167)	8-1/16 (205)	9-3/16 (233)
Direct Acting Actuators	VC-230A						VC-300A		
Reverse Acting Actuators	VC-231A						VC-301A		

**MIXING
SERVICE**

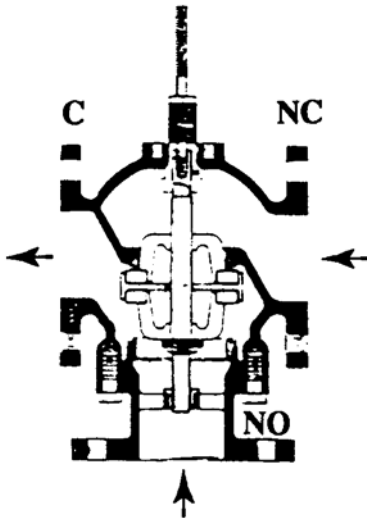


1/2" - 2" Sizes

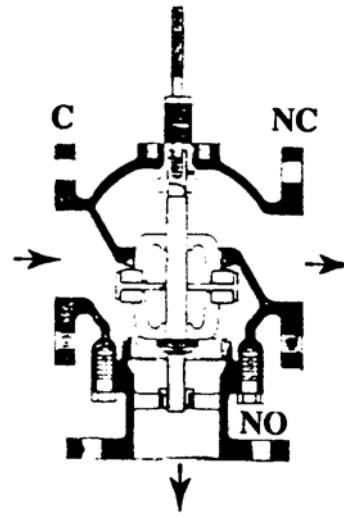
**DIVERTING
SERVICE**



1/2" - 2" Sizes



2 1/2" - 4" Sizes



2 1/2" - 4" Sizes

Note

On all valves, the letter N, NC and C are cast into the valve body.

Robertshaw

U.S.A. and CANADA

Robertshaw Industrial Products Division
1602 Mustang Drive
Maryville, Tennessee 37801
Phone: (865) 981-3100 Fax: (865) 981-3168
<http://www.robertshawindustrial.com>

Exports

Invensys Appliance Controls
1701 Byrd Avenue
Richmond, Virginia 23230-3011
Phone: (804) 756-6500 Fax: (804) 756-6561