

Robertshaw

INDUSTRIAL PRODUCTS DIVISION

Sales Manual Section 170
PRODUCT SPECIFICATION "BG"
 (For CONTROL VALVE Service)

Valve Body Assembly Style "BG"

FEATURES

- Sizes 1/2" thru 2"
- Single-Seated
- Unbalanced
- Top and Bottom Guided

SPECIFICATIONS

Type: Single-seated, unbalanced.

Ends: Screwed, female NPT.

Flow Characteristics: Equal percent.

Maximum Leakage (Factory Test):

0.1% of rated valve capacity at 50 psi

Action: Direct(Push down to close). Stem Connection:

1/2" thru 1 1/2" Quick-disconnect type

2" Split block clamp.

Body Material:

1/2" thru 1" Brass, ASTM B584.

1 1/4" thru 2" Brass, ASTM B62.

Trim Materials: 316 Stainless Steel.

Packing: Spring-loaded Chevrons (Teflon*).

Temperature Limit: 400°F. (204°C.).

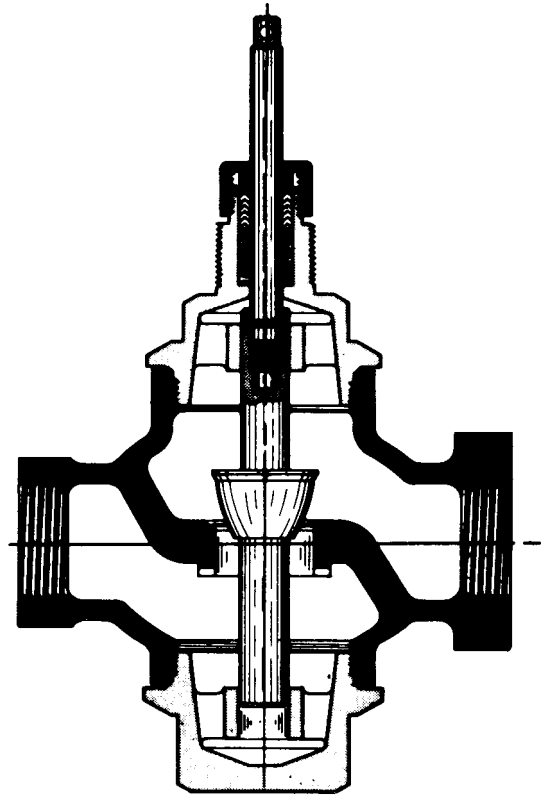
Maximum Pressure Drop: 125 psi.

Body Pressure Ratings:

250 psi at 400° F. (204° C.).

300 psi at 100° F. (38° C.).

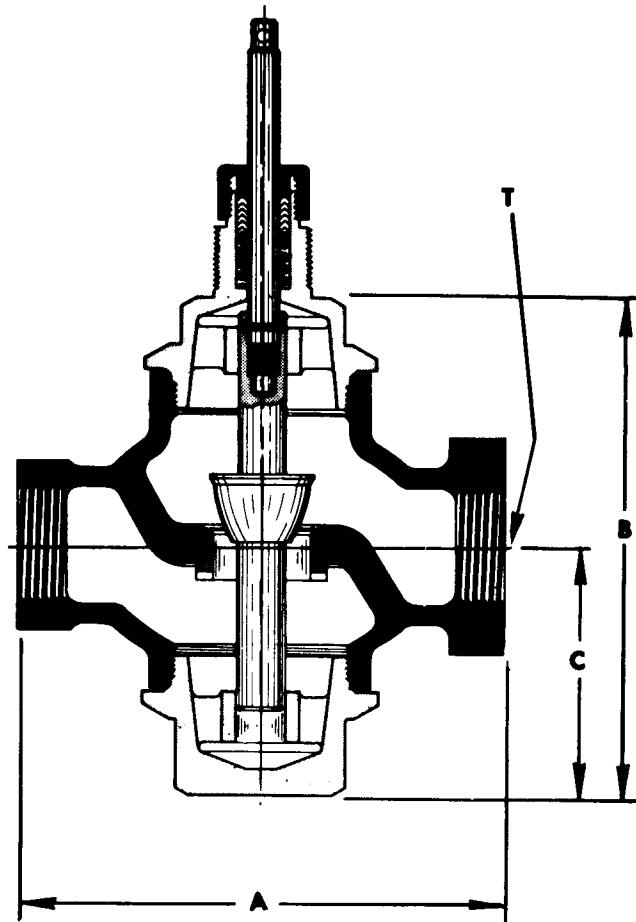
* Registered tradename of DuPont Company.



DIMENSIONS

Valve Size, In.	1/2"	3/4"	1"	1-1/4"	1-1/2"	2"
Cv	2.0	5.3	9.5	15	23	52
Valve Travel, In. (mm)	3/8 (9.5)	3/8 (9.5)	5/8 (15.9)	5/8 (15.9)	5/8 (15.9)	7/8 (22.2)
Unbalanced Area, Sq. In. (cm ²)	.20 (1.29)	.44 (2.84)	.79 (5.10)	1.23 (7.94)	1.77 (11.4)	3.14 (20.3)
Direct-Acting Actuators	VC-230,A					VC-300A
Reverse-Acting Actuators	VC-231A					VC-301A

DIMENSIONS



Valve Size, In.	1/2"	3/4"	1"	1-1/4"	1-1/2"	2"
Dimension A, In. (mm)	3 (76)	4 (102)	5 (127)	5 (127)	5 (127)	6-3/4 (171)
Dimension B, In. (mm)	3-5/8 (92)	3-15/16 (100)	5-11/16 (145)	5-11/16 (145)	5-11/16 (145)	6-1/16 (154)
Dimension C, In. (mm)	1-11/16 (43)	2 (51)	2-15/16 (75)	2-15/16 (75)	2-15/16 (75)	2-3/16 (56)
Thread "T" (NPT)	1/2 -14	3/4 - 14	1 - 11 1/2	1 1/4 - 11 1/2	1 1/2 - 11 1/2	2 - 11 1/2

Robertshaw

U.S.A. and CANADA

Robertshaw Industrial Products Division

1602 Mustang Drive

Maryville, TN 37801

Phone: (865) 981-3100 Fax: (865) 981-3168

<http://www.robertshawindustrial.com>

Exports

Invensys Appliance Controls

2809 Emerywood Parkway

P.O. Box 26544

Richmond, Virginia 23261-6544

Phone: (804) 756-6500 Fax: (804) 756-6561