



# Industrial Glass Thermometer

## Adjustable Connection, 9" Scale

### Type TI.901 & TI.701

## Thermometers

### Application

Process piping, HVAC/R, plumbing, water treatment, boilers, diesel engines and compressors

### Size

9" (228.6 mm) - TI.901  
7" (177.8 mm) - TI.701

### Accuracy

+/- 1% of scale range

## Standard Features

### Case

Black, V-shaped molded GE Valox® 735 polyester

### Connection

1 1/4"-18 Swivel Nut only; without thermowell  
3/4" NPT brass thermowell; 3/4" NPT brass thermowell with Lag; 3/4" NPT brass union hub, Duct flange

### Adjustable Joint

Matching GE Valox® joint completely encloses capillary for thermal system protection

### Locking Device

Provides 360° positioning of thermometer case and stem

### Stem

Aluminum tapered metal to metal contact.  
Graphite conducting media between bulb chamber & glass

### Stem Lengths

3-1/2", 6", 9", 12"

### Tube & Capillary

Magnifying lens

### Measuring Element

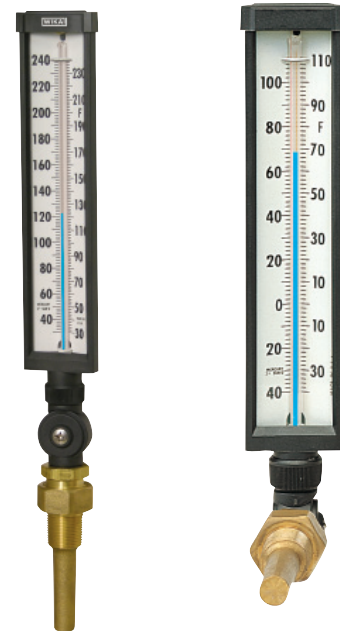
Blue non-mercury fill

### Window

Glass

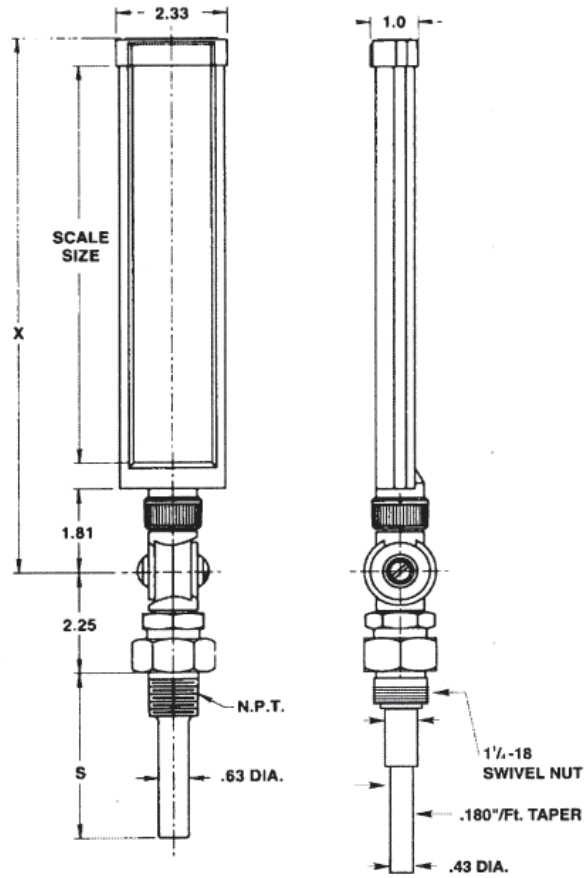
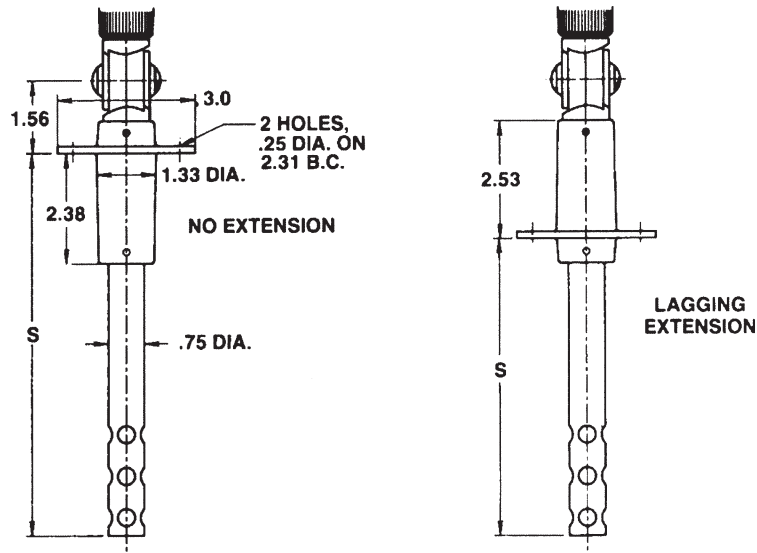
### Scale

Permanently baked-on, bold black graduations are printed on white-coated aluminum



STANDARD RANGES		
Single Scale Fahrenheit	Dual Scale F & C	Single Scale Celsius
-40/110 F	-40/110 F & -40/43 C	-40/50 C
-10/180 F	-10/180 F & -20/45 C	-20/45 C
-20/120 F	0/120 F & -17/49 C	0/50 C
0/120 F	0/160 F & -15/70 C	0/100 C
0/160 F	30/180 F & 0/80 C	0/160 C
30/180 F	30/240 F & 0/115 C	----
30/240 F	30/300 F & 0/150 C	----
30/300 F	50/550 F & 10/290 C	----
50/550 F	50/750 F & 10/400 C	----

**Dimensions:**



Shown with thermowell

Shown with union nut  
(without thermowell)

**Ordering Information:**

State computer part number (if available) / type number / size / range / connection size and location / options required.

Specifications given in this price list represent the state of engineering at the time of printing. Modifications may take place and the specified materials may change without prior notice



**WIKAI Instrument Corporation**  
 1000 Wiegand Boulevard  
 Lawrenceville, Georgia 30043-5868  
 Tel: 770-513-8200 Fax: 770-338-5118  
<http://www.wika.com> e-mail: [info@wika.com](mailto:info@wika.com)