



INDUSTRIAL PRODUCTS DIVISION

Sales Manual Section 170
PRODUCT SPECIFICATION "WA"
 (For Control Valve Service)

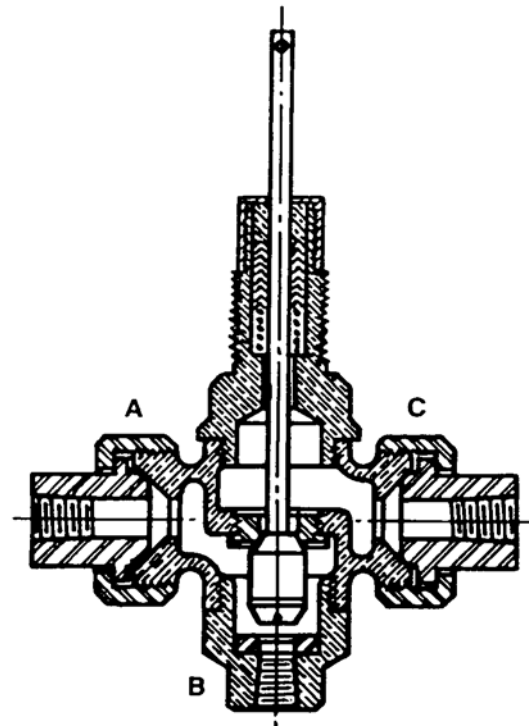
Valve Body Assembly Style "WA"

FEATURES

- Sizes 1/2" thru 1-1/2"
- Three-Way, Unbalanced for Mixing Service.

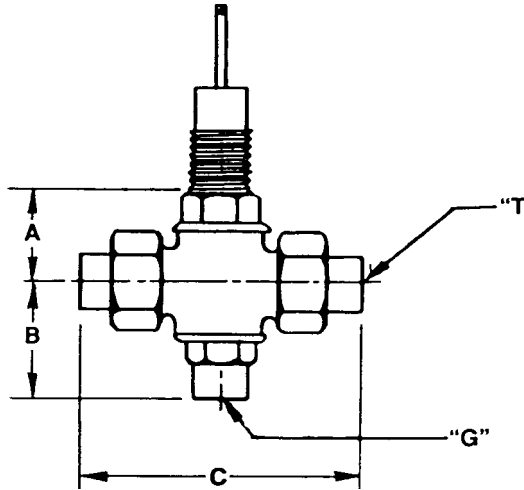
SPECIFICATIONS

End Connections: Screwed Unions.
Action: 3-Way.
Flow Characteristics: Quick Opening.
Body Material: Brass, ASTM B 145-5A.
Unions: Brass, ASTM B 145-5A. Trim Material:
 Stem 316 Stainless Steel.
 Plug 316 Stainless Steel.
 Seat Ring 316 Stainless Steel.
Stem Connection: Quick-disconnect Pin.
Packing: Rubber U-cup.
Maximum Pressure Drop: 75 psi (5.2 bar).
Valve Body Rating:
 150 psi (10.3 bar) @ 400°F (204°C).
 225 psi (15.5 bar) @ 100°F (38°C).
Available Actuators:
 VC-230, 231 Diaphragm Actuators.



Valve Size		1/2	3/4	1	1 1/4	1 1/2
Cv	B-A	4.2	7.8	11.1	23.5	31.7
	C-A	3.1	5.6	8.8	18.1	25.0
Valve Travel, In.(mm)		3/16(4.7)	1/4(6.4)	5/16(7.9)	3/8(9.6)	7/16(11.1)
Unbalanced Area, Sq. In.(cm ²)		.26(1.68)	.44(2.84)	.79(5.10)	1.23(7.94)	1.77(11.4)

DIMENSIONS



Valve Size	1/2	3/4	1	1 1/4	1 1/2
Dimension A, In.(mm)	1-9/16(40)	1-7/8(48)	1-7/8(48)	2-43/64(68)	3-1/16(78)
Dimension B, In.(mm)	2-1/8(54)	2-7/16(62)	2-7/16(62)	3-15/64(82)	3-3/4(95)
Dimension C, In.(mm)	4-3/4(121)	6-3/16(157)	6-1/4(159)	7-13/16(198)	8-11/16(221)
Thread "T"(NPT) . .	1/2-14	3/4-14	1-11 1/2	1 1/4-11 1/2	1 1/2-11 1/2
Thread "G"(NPT)	1/2-14	3/4-14	1-11 1/2	1 1/4-11 1/2	1 1/2-11 1/2

INSTALLATIONS

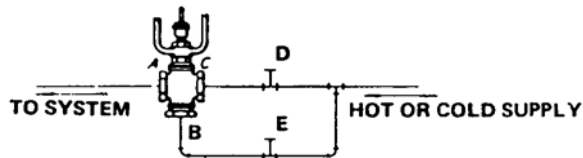


Figure 1. Showing how connections would be made where it is desired to shift from heating service to cooling service by manually opening and closing proper valve in the supply line.

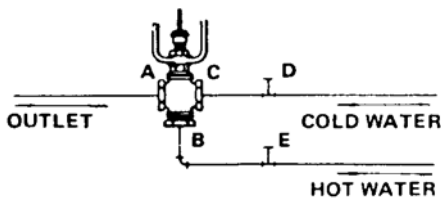


Figure 2. Illustrating a simple means for mixing hot and cold water where a rough mixing is suitable.

Robertshaw

U.S.A. and CANADA

Robertshaw Industrial Products Division
 1602 Mustang Drive
 Maryville, Tennessee 37801
 Phone: (865) 981-3100 Fax: (865) 981-3168
<http://www.robertshawindustrial.com>

Exports

Invensys Appliance Controls
 1701 Byrd Avenue
 P.O. Box 26544
 Richmond, Virginia 23261-6544
 Phone: (804) 756-6500 Fax: (804) 756-6561