

Valve Body Assembly Style "FA"

FEATURES

- Sizes 2-1/2" thru 4" Direct Acting
3/4" thru 4" Reverse Acting
- Double-seated
- Semi-Balanced
- Top and Bottom Guided

SPECIFICATIONS

Type:Double-seated, semi-balanced

Action:Direct-acting (closes on downward stem movement). Reverse-acting (opens on downward stem movement)

Connections:3/4" thru 1-1/2" - Brass unions
2" thru 4" - 125 lb. Flange - Cast iron
150 lb. Flange - Bronze

Materials:

BodySee Table

StemHighly finished 316 SS
(Monel on Monel trim valves)

TrimSee Table

PackingTeflon* chevrons (spring loaded) - D/A
Rubber U-cup - R/A

Capacity See Cv ratings in Dimensions table

Maximum Valve Design Rating:

(Supply Pressure and Allowable Pressure Drop)

Bronze Bodies:

Pressure/Temperature: 200 psi @ 100° F
125 psi @ 400° F

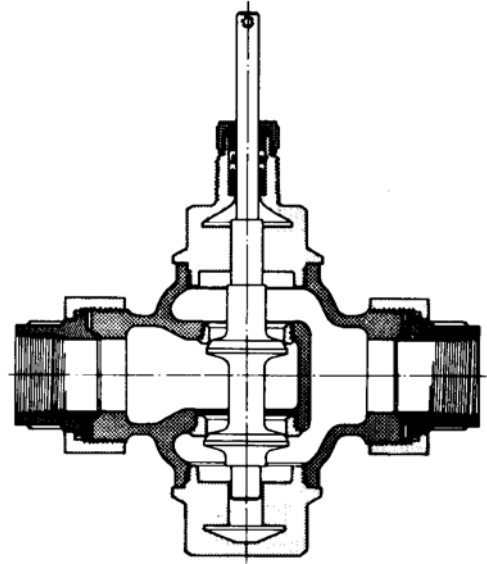
Pressure Drop:..... Bronze trim, 50 psi
Monel trim, 125 psi

Cast Iron Bodies:

Pressure/Temperature:..... 175 psi @ 100° F
125 psi @ 350° F

Pressure Drop:Bronze trim, 50 psi
Stainless Steel trim, 125 psi

* Teflon is a registered trade name of Dupont Company



Reverse-Acting Type Illustrated

Stem Connection: Quick Disconnect

Available Actuators:..... VC-230A, VC-231A

Maximum Leakage (Factory Test)

3/4" thru 2" - 0.5% of rated valve capacity at 50psi

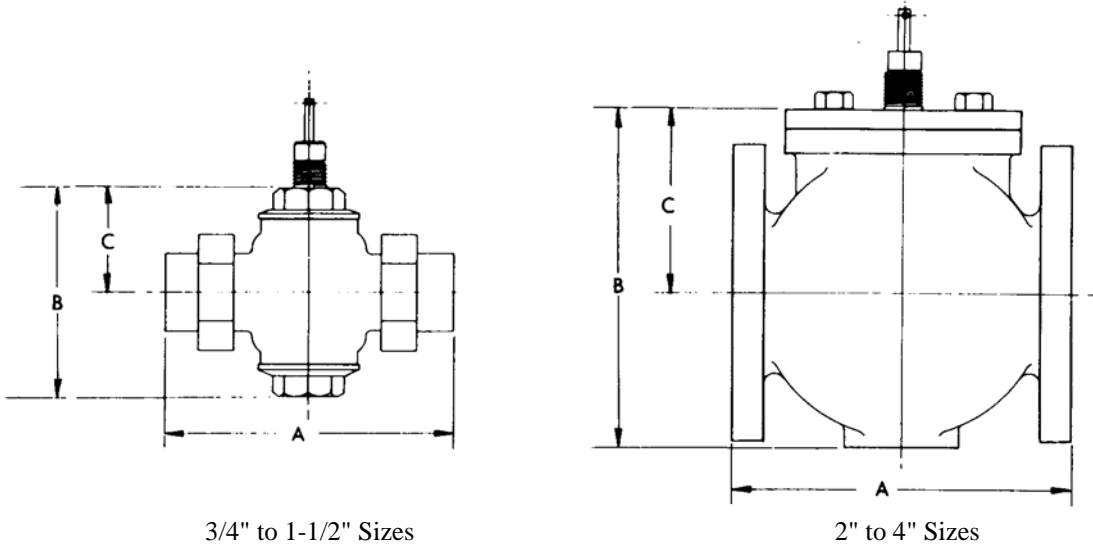
2-1/2" thru 4" - 0.5% of rated valve capacity at 20psi

Flow Characteristics: Quick-Opening

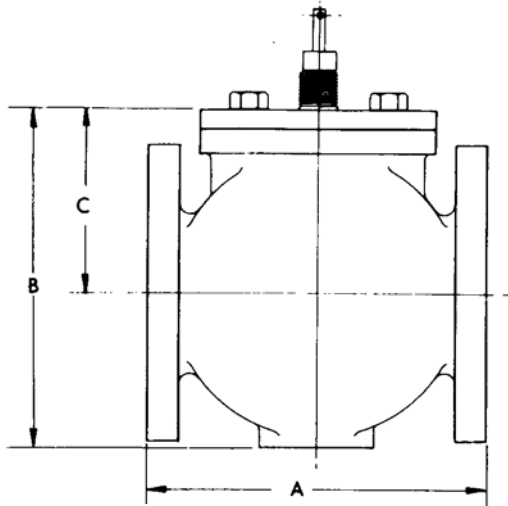
Available Body and Available Body and Trim Materials:

Valve Size, In.	Direct Acting				Reverse Acting			
	Bronze Body		Cast Iron Body		Bronze Body		Cast Iron Body	
	BZ Trim	Monel Trim	SS Trim	BZ Trim	BZ Trim	Monel Trim	SS Trim	BZ Trim
3/4"					X	X		
1"					X	X		
1-1/4"					X	X		
1-1/2"					X	X		
2"					X	X	X	X
2-1/2"			X			X	X	
3"			X			X	X	
4"			X			X	X	

DIMENSIONS:



3/4" to 1-1/2" Sizes



2" to 4" Sizes

All Dimensions in Inches (mm)

Valve size	3/4	1	1-1/4	1	2	2-1/2	3	4
Cv	9.3	17.6	22.5	30.4	59.3	82.5	130	226
Valve Travel	5/32 (4.0)	3/16 (4.8)	7/32 (5.6)	1/4 (6.4)	5/16 (7.9)	3/8 (9.5)	7/16 (11.1)	9/16 (14.3)
Unbalanced Area Sq. In. (CM ²)	.07(.45)	.11(.71)	.11(.71)	.15 (.97)	.38 (2.45)	.50 (3.23)	.58 (3.74)	.78 (5.03)
Dim. A	5-5/8 (143)	7-1/4 (184)	7-13/16 (198)	8-1/2 (216)	7 (178)	7-3/4 (197)	8-5/8 (219)	10-3/8 (264)
Dim. B (D.A.)	-	-	-	-	6-15/16 (176)	8 (203)	8-11/16 (221)	10-13/16 (275)
Dim. B (R.A.)	4-3/8 (111)	5-7/8 (149)	5-7/8 (149)	6-1/2 (165)	8 (203)	8-13/32 (214)	9-1/8 (232)	11-7/32 (285)
Dim. C (D.A.)	-	-	-	-	3-13/16 (97)	4-3/8 (111)	4-3/4 (121)	5-13/16 (148)
Dim. C (R.A.)	2-1/16 (52)	2-13/16 (71)	2-13/16 (71)	3-1/8 (79)	3-1/8 (79)	3-5/8 (92)	3-5/16 (100)	4-7/8 (124)



U.S.A. & Canada

Robertshaw Industrial Products

1602 Mustang Drive

Maryville, Tennessee 37801

Phone: (865) 981-3100 Fax: (865) 981-3168

<http://www.robertshawindustrial.com>

Exports

Invensys Appliance Controls

1701 Byrd Avenue

P.O. Box 26544

Richmond, Virginia 23261-6544

Phone: (804) 756-6500 Fax: (804) 756-6561