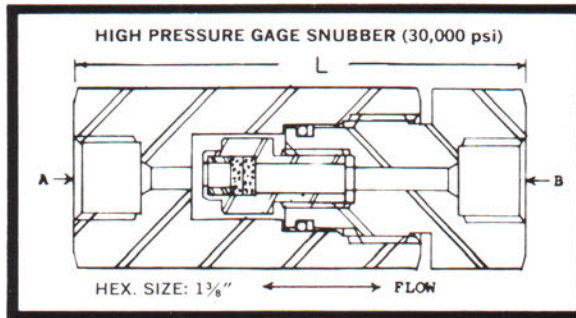


# CHEMIQUIP PRESSURE SNUBBERS for SPECIAL PURPOSES

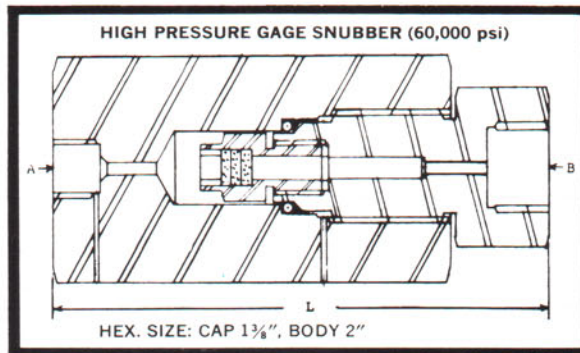
## HIGH PRESSURE GAGE SNUBBER

Designed for the protection of pressure gages or other pressure devices when they are called upon to work under the extremes of pressure encountered in many chemical processing, refining and synthesizing industry factories.



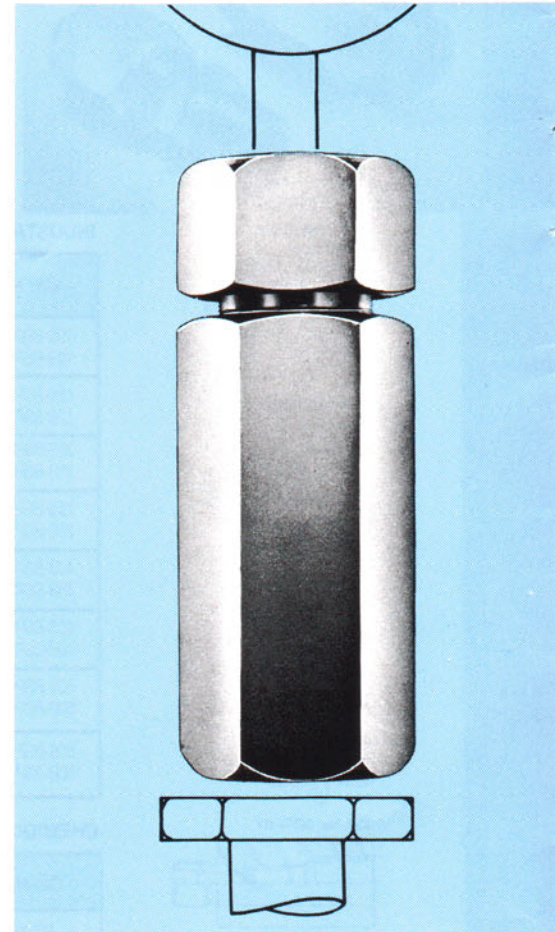
HOUSING CATALOG NUMBERS (30,000 psi)

Catalog Number	Tubing Connection (AMINCO) "A"	Pipe Connection "B"	Length "L"
30-31 HF-4B-GS	1/4"	1/4" NPT	4 3/16"
30-31 HF-4-GS	1/4"	1/4" TUBE AMINCO (9/16"-18NF2)	4 3/16"
30-31 HF-6B-GS	3/8"	1/4" NPT	4 3/16"
30-31 HF-6-GS	3/8"	1/4" TUBE AMINCO (3/4"-16NF2)	4 3/16"
30-31 HF-4D-GS	1/4"	3/8" NPT	4 3/16"
30-31 HF-6D-GS	3/8"	1/2" NPT	4 3/16"
30-31 HF-4J-GS	1/4"	1/2" NPS	4 3/16"
30-31 HF-6J-GS	3/8"	1/2" NPS	4 3/16"



HOUSING CATALOG NUMBERS (60,000 psi)

Catalog Number	Tubing Connection (AMINCO) "A"	Pipe Connection "B"	Length "L"
60-31 HF-4B-GS	1/4"	1/4" NPT	5 1/2"
60-31 HF-4-GS	1/4"	1/4" TUBE AMINCO (9/16"-18NF2)	5 1/2"
60-31 HF-6B-GS	3/8"	1/4" NPT	5 1/2"
60-31 HF-6-GS	3/8"	1/4" TUBE AMINCO (3/4"-16NF2)	5 1/2"
60-31 HF-4D-GS	1/4"	3/8" NPT	6"
60-31 HF-6D-GS	3/8"	1/2" NPT	6"
60-31 HF-4J-GS	1/4"	1/2" NPS	6 1/2"
60-31 HF-6J-GS	3/8"	1/2" NPS	6 1/2"



- Fabricated of Stainless Steel Type 316 for maximum operating pressures of 30,000 psi or 60,000 psi. (Unique design, utilizing an "O" ring seal, makes it possible to contain pressures to 60,000 psi without applying extreme force to threaded connections.)

- Special designs or threaded connections to order.

- Housing is easily disassembled for cleaning or service.

- No moving parts.

### SNUBBER ELEMENT CATALOG NUMBERS

Catalog Number	Service Fluid	Viscosity Range
HP-50C	Highly Viscous Fluids	Over 500 S.S.U.
HP-50D	Heavy Oils	225 to 500 S.S.U.
HP-50E	Water and Light Oils	30 to 225 S.S.U.
HP-50F	Vapors and Low Viscosity Fluids	Under 30 S.S.U.
HP-50G	Air and Similar Gases	
HP-50HX	Violent Gas Pulsations or Surges	

When ordering, please specify both Housing Catalog Number and Snubbing Element Catalog Number.