

# By-Pass Glass-Tube Varea-Meter® With Orifice Plate

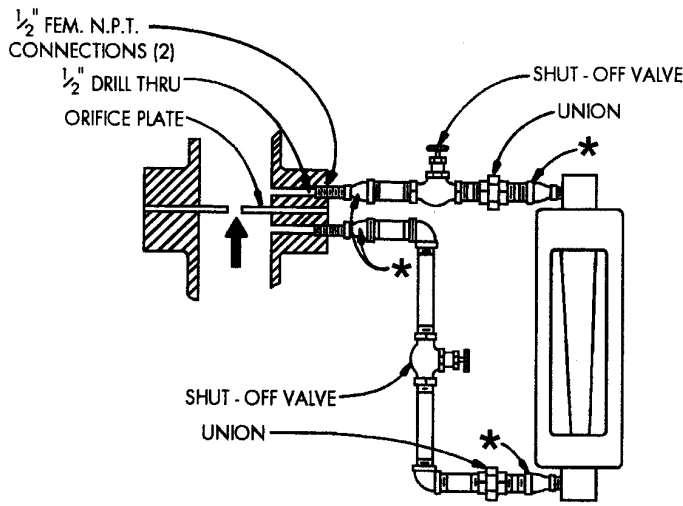


FIG. 1  
VERTICAL LINE

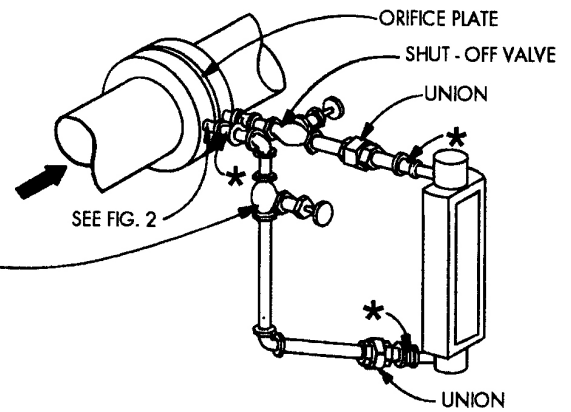


FIG. 3  
HORIZONTAL LINE

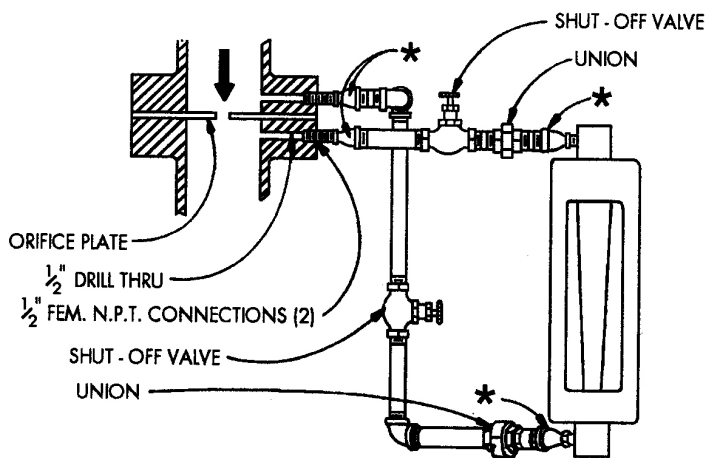


FIG. 2  
VERTICAL LINE  
(FOR GASES ONLY)

WATER SERVICE - SIZE AND LENGTH OF BY - PASS PIPING					
PIPE SIZE INCHES	MAXIMUM RECOMMENDED EQUIVALENT LENGTH (FEET)	EQUIVALENT LENGTH OF FITTINGS IN FEET OF STRAIGHT PIPE			
		90° EL	45° EL	UNION	GATE VALVE
1/2	6'-0"	1.5	0.8	0.17	0.35
*3/4	23'-0"	2.2	2.2	0.19	0.50
*1	72'-0"	2.75	2.75	0.21	0.60
* USE REDUCING FITTINGS AT METER AND MAINLINE ORIFICE		1) USE GATE OR BALL VALVES ONLY 2) KEEP FITTINGS TO A MINIMUM			

# SIEMENS

Water Technologies  
1901 West Garden Road  
Vineland, NJ 08360  
856.507.9000 phone  
856.507.4125 fax

[www.siemens.com/water](http://www.siemens.com/water)

Dimensions  
WT.520.300.200.UA.CN.1206