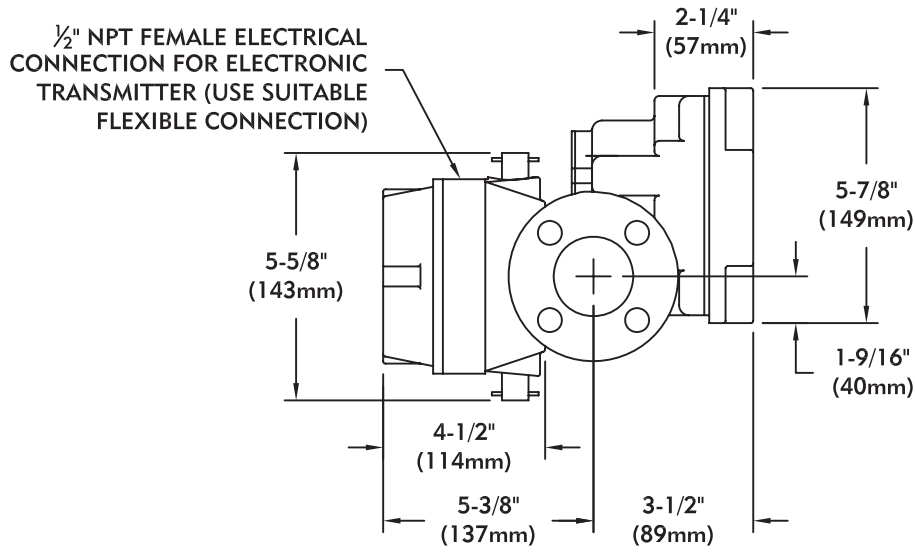
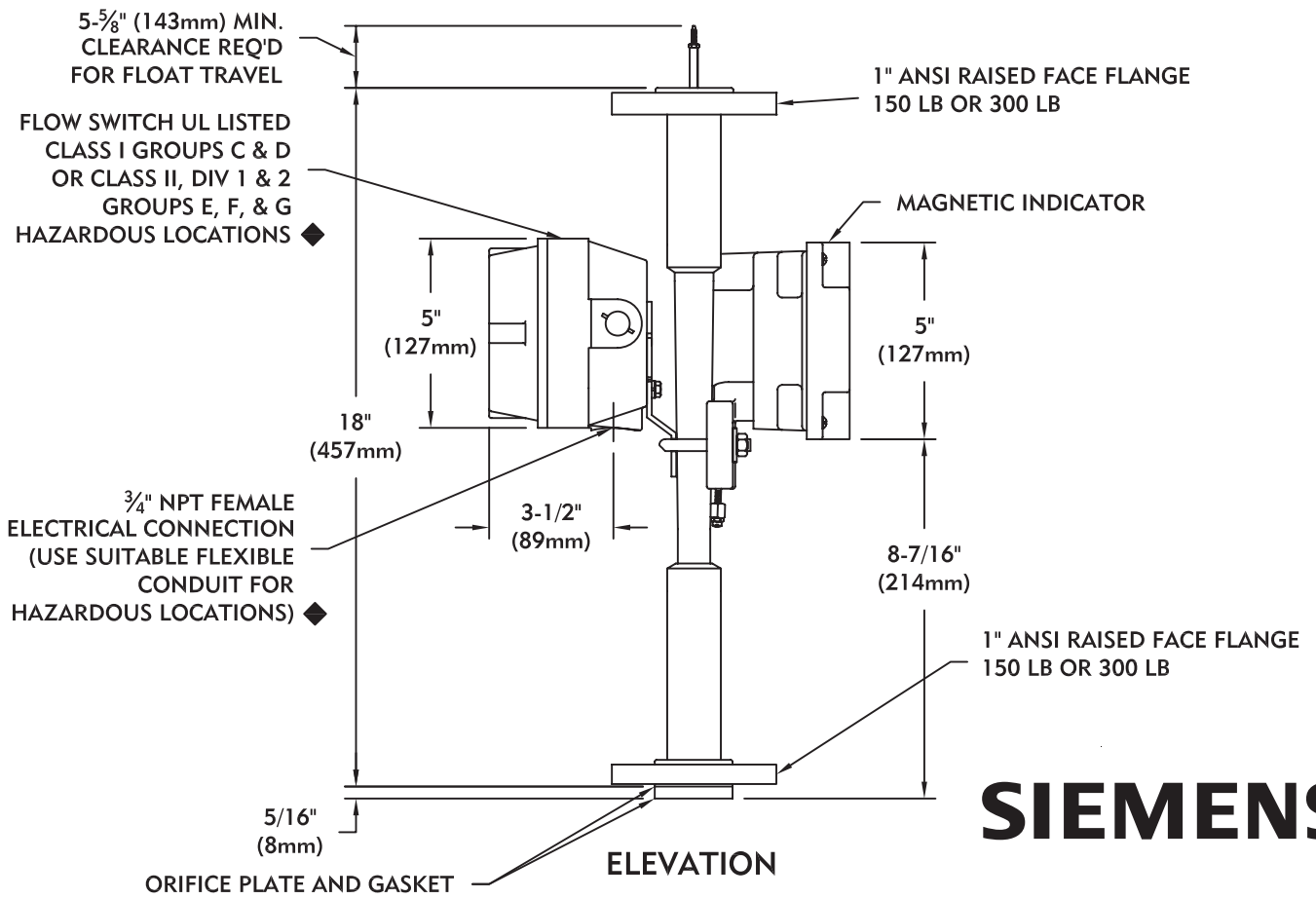


1/2" By-Pass Metal-Tube Varea-Meter®

With Magnetic Indicator With External Flow Switch For Use in Hazardous Locations



PLAN VIEW



ELEVATION

SIEMENS

NOTES:

FLOAT ROD DOES NOT PROTRUDE AT TOP OR BOTTOM AT ZERO POSITION.

◆ AS DEFINED BY NEC.

Water Technologies
 1901 West Garden Road
 Vineland, NJ 08360
 856.507.9000 phone
 856.507.4125 fax

www.siemens.com/water

Dimensions
 WT.520.300.106.UA.CN.1206