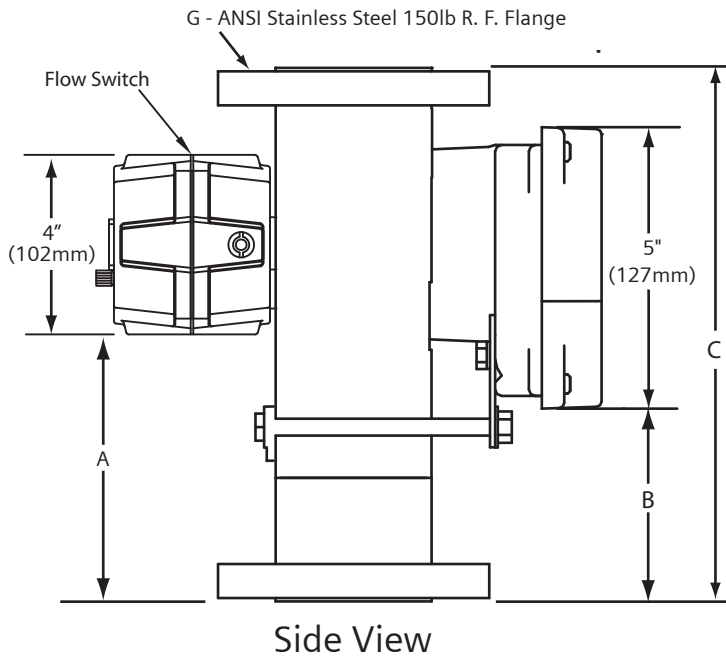
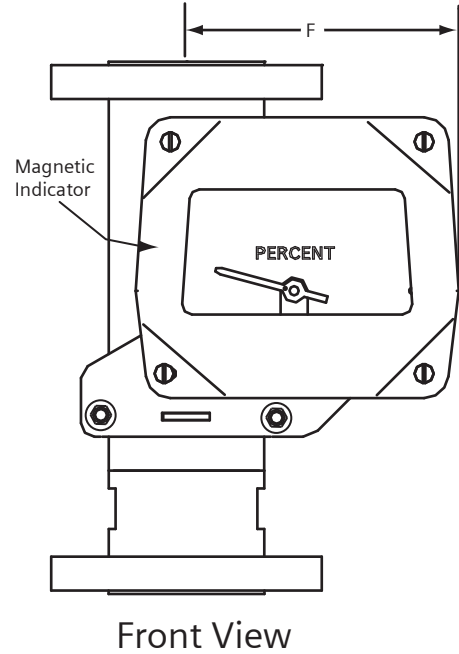
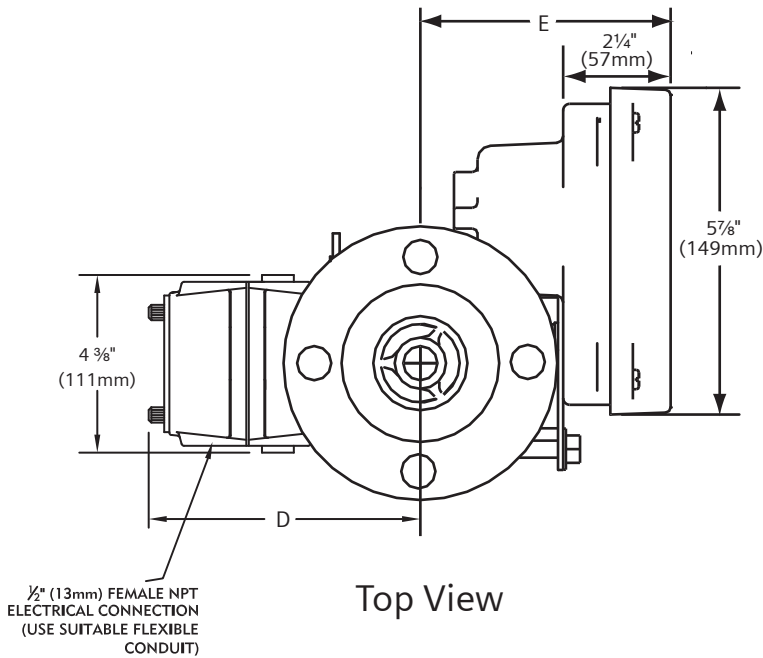


Wallace & Tiernan® Series 55-200 Armored Flowmeter Flanged Connection Magnetic Indicator with General Purpose Flow Switch



SIEMENS

TUBE SIZE	A	B	C	D	E	F	G
1/2" (13mm)	1 1/16" (43mm)	1 5/8" (41mm)	7 5/8" (194mm)	5 1/2" (139mm)	4 1/16" (103mm)	4 3/16" (106mm)	1/2" (25mm)
1" (25mm)	3 1/16" (78mm)	2 15/16" (75mm)	9 7/8" (251mm)	5 1/4" (133mm)	4 1/4" (108mm)	4 3/8" (111mm)	1" (25mm)
1 1/2" (38mm)	3 9/16" (90mm)	3 9/16" (90mm)	12" (305mm)	5 3/4" (146mm)	4 9/16" (116mm)	5" (127mm)	1 1/2" (38mm)
2" (51mm)	3 3/8" (86mm)	4 1/8" (105mm)	13 1/4" (337mm)	5 15/16" (150mm)	5 1/8" (130mm)	5 1/4" (133mm)	2" (51mm)

Water Technologies
1901 West Garden Road
Vineland, NJ 08360
856.507.9000 phone
856.507.4125 fax

www.siemens.com/water

Dimensions
WT.550.200.110.UA.CN.0706