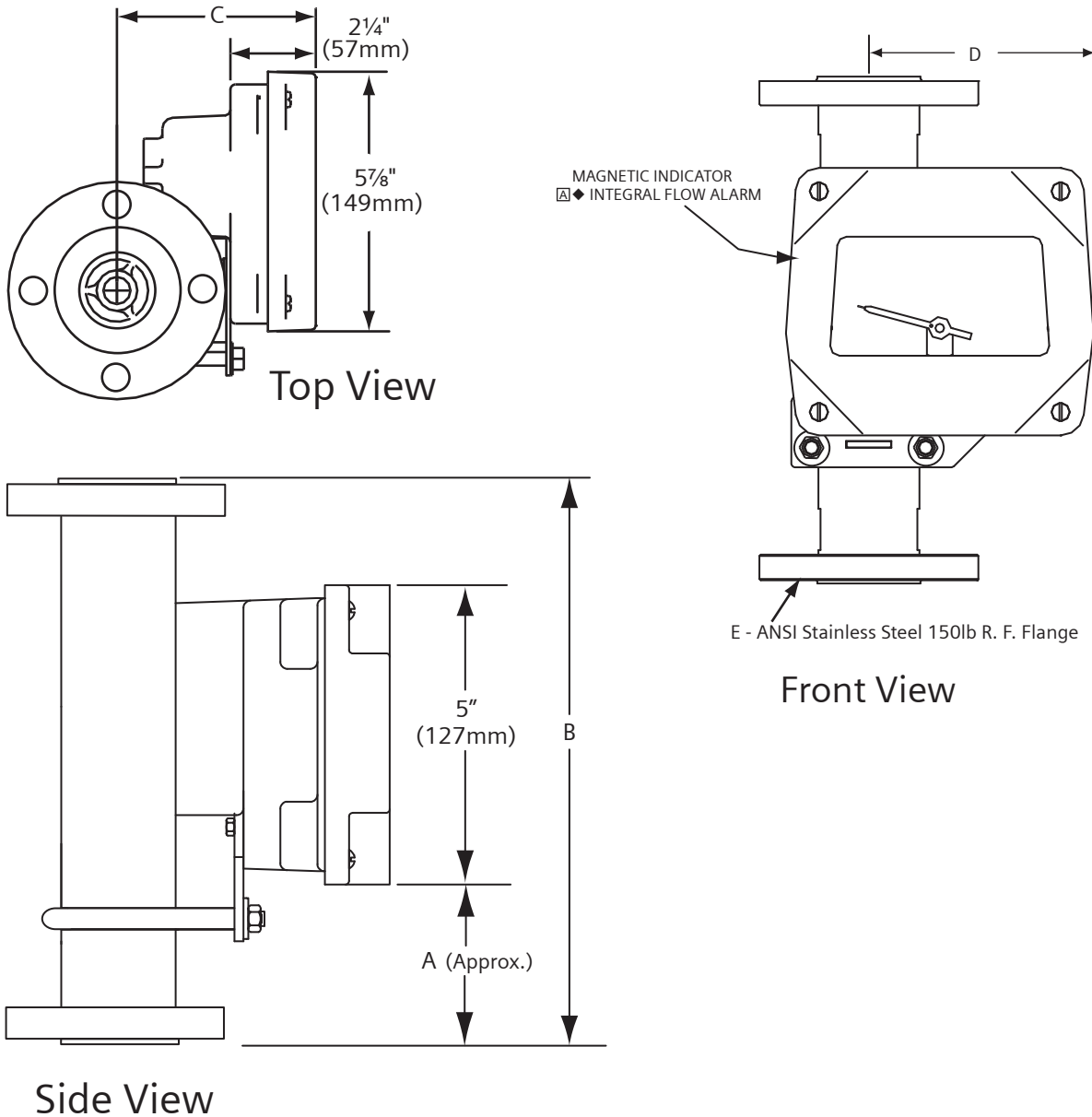


Wallace & Tiernan® Series 55-200 Armored Flowmeter Flanged Connection with Magnetic Indicator



TUBE SIZE	A	B	C	D	E
1/2" (13mm)	1 5/8" (41mm)	7 5/8" (194mm)	4" (102mm)	4 3/16" (106mm)	1/2" (13mm)
1" (25mm)	2 15/16" (75mm)	9 7/8" (251mm)	4 1/4" (108mm)	4 3/8" (111mm)	1" (25mm)
1 1/2" (38mm)	3 9/16" (90mm)	12 7/8" (305mm)	4 9/16" (116mm)	5" (127mm)	1 1/2" (38mm)
2" (51mm)	4 1/8" (105mm)	13 1/4" (337mm)	4 9/16" (130mm)	5 1/4" (133mm)	2" (51mm)

NOTES:

- [A] ACCESSORY ITEM FURNISHED ONLY IF SPECIFICALLY LISTED IN QUOTATION AND AS CHECKED ON THIS DRAWING.
- ◆ FM APPROVED INTRINSICALLY SAFE FOR CLASS I, DIV I GROUPS A, B, C, & D WHEN USED WITH APPROVED BARRIER.

SIEMENS

Water Technologies
 1901 West Garden Road
 Vineland, NJ 08360
 856.507.9000 phone
 856.507.4125 fax

www.siemens.com/water

Dimensions
 WT.550.200.108.UA.CN.0706