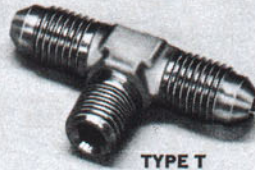




**TYPE A**  
Flared Tube Union



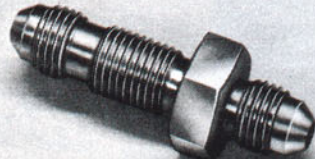
**TYPE T**  
Flared Tube Tee



**TYPE B**  
Flared Tube and Pipe Thread Nipple



**TYPE L**  
Flared Tube Elbow



**TYPE AH**  
Flared Tube Bulkhead Union



**TYPE AR**  
Flared Tube Reducer

# CHEMIQUIP PRESSURE SNUBBERS WITH TUBING CONNECTIONS

for Refrigeration, Automotive, and Other Applications

## ENGINEERING DATA:

### RECOMMENDED POROSITIES:

Type of Service	Porosity Designation	Micron Rating
Highly Viscous Fluids (over 500 S.S.U.)	.C	.75
Oils (225 to 500 S.S.U.)	.D	.40-45
Water and Light Oils (30 to 225 S.S.U.)	.E	.10
Vapor and Low Viscosity Fluids (under 30 S.S.U.)	.F	.7
Air or other Gases	.G	.2-5
Pulsating Gas	.HX	.1
Extreme Gas Pulsation	.HXX	.1/2

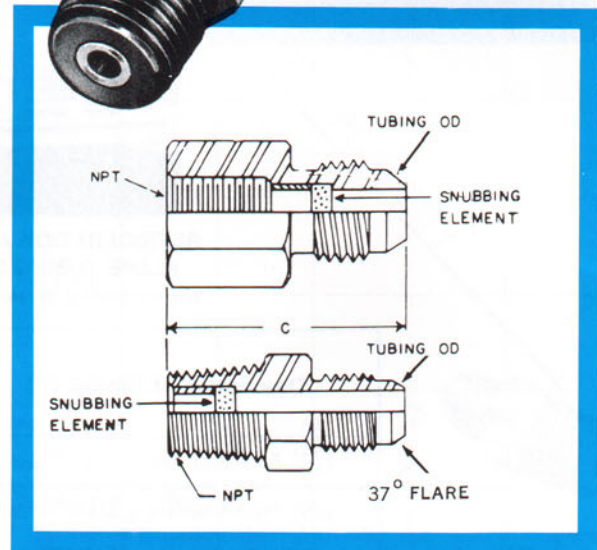
Note: Other porosities available on special order.

### STANDARD MATERIALS OF CONSTRUCTION:

Housing: Cadmium-plated Carbon Steel; Stainless Steel (300 Series)

Porous Disc: Stainless Steel Type 316

### DIMENSIONS:



Add suffix to Catalog Number to indicate desired Porosity (e.g. 12-FR-4C)

Catalog No.	Tubing (O.D.)	Pipe npt	Overall Length (C)
12-FR-4	1/4"	1/8" Female	1 3/8"
12-FR-5	3/8"	1/8" Female	1 3/8"
25-FR-4	1/4"	1/4" Female	1 3/8"
25-FR-5	3/8"	1/4" Female	1 3/8"
25-FR-6	3/8"	1/4" Female	1 3/8"
12-MR-4	1/4"	1/8" Male	1 3/8"
12-MR-5	3/8"	1/8" Male	1 3/8"
25-MR-4	1/4"	1/4" Male	1 3/8"
25-MR-5	3/8"	1/4" Male	1 3/8"
25-MR-6	3/8"	1/4" Male	1 3/8"

**CHEMIQUIP PRODUCTS CO., INC.**

524 64th Street, West New York N.J. 07093 Tel. (201) 868-4445

Fax (201) 868-4447

